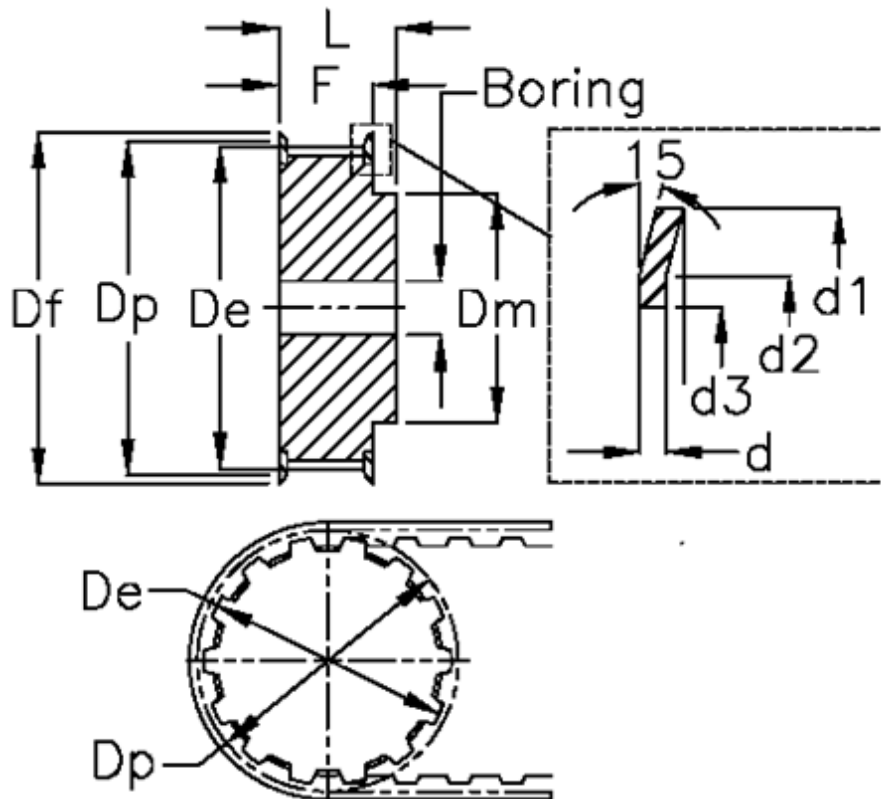


Article number: 60415236026

Description: Timing Belt Pulley 36 AT5 26/2

Measures



Belt width = - 25 mm	D_p	= 41.4
d = 1	F	= 30
d_1 = 44	Flange type	= F17
d_2 = 40.5	L	= 36
d_3 = 32.5	Pre-drilled	= 6
D_e = 40.2	Tooth number	= 26
D_f = 44	Type	= AT5
D_m = 26	Weight	= 0.12